

Square Bevel Washers

(Iron)

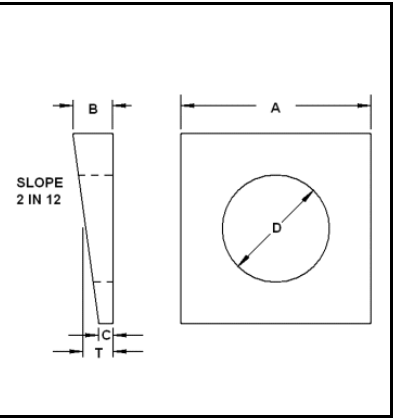
Low Carbon Steel

Plain = WQM020---

Galvanized = WQM020---GD

Zinc = WQM020---Z1

Bolt Size	A	B	C	T	D	Weight Per 100 Pieces
	Square Dimension	Thickness			Diameter	
3/8	1.25	0.34	0.12	0.23	0.44	8.6
1/2	1.25	0.34	0.12	0.23	0.56	8.8
5/8	1.50	0.38	0.12	0.25	0.69	14.3
3/4	1.50	0.44	0.19	0.31	0.81	14.3
7/8	2.00	0.56	0.22	0.39	0.94	32.8
1	2.00	0.56	0.22	0.39	1.06	30.2
1-1/8	2.25	0.62	0.25	0.44	1.25	
1-1/4	2.25	0.72	0.31	0.52	1.38	
1-3/8	2.75	0.78	0.31	0.55	1.50	
1-1/2	3.00	0.81	0.31	0.56	1.62	



Low Carbon Steel Plain = WQM020--- Galvanized = WQM020---GD Zinc = WQM020---Z1